

Bendcart

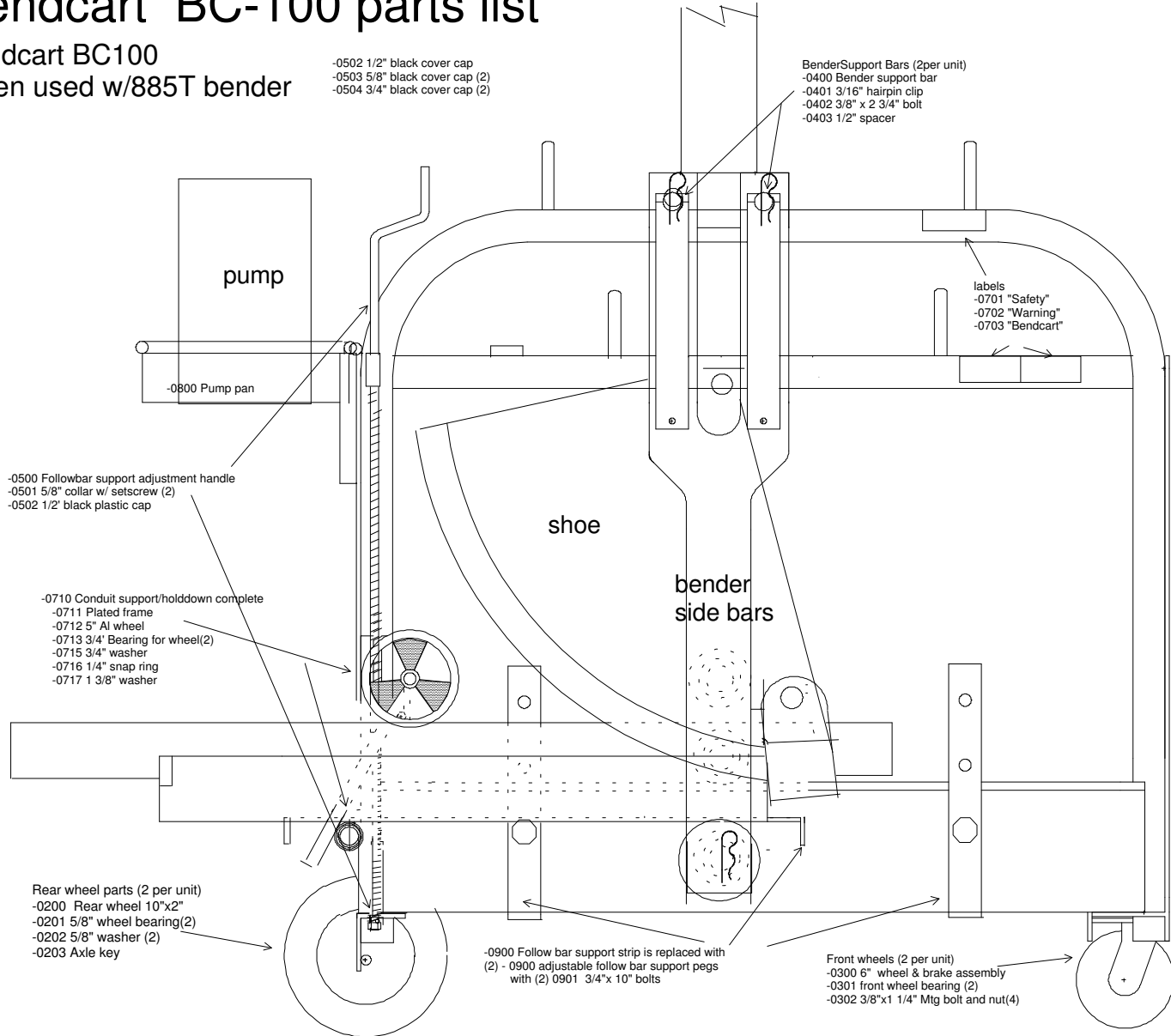
BC100

Parts list
serial #'s 1-556

Bendcart BC-100 parts list

Bendcart BC100

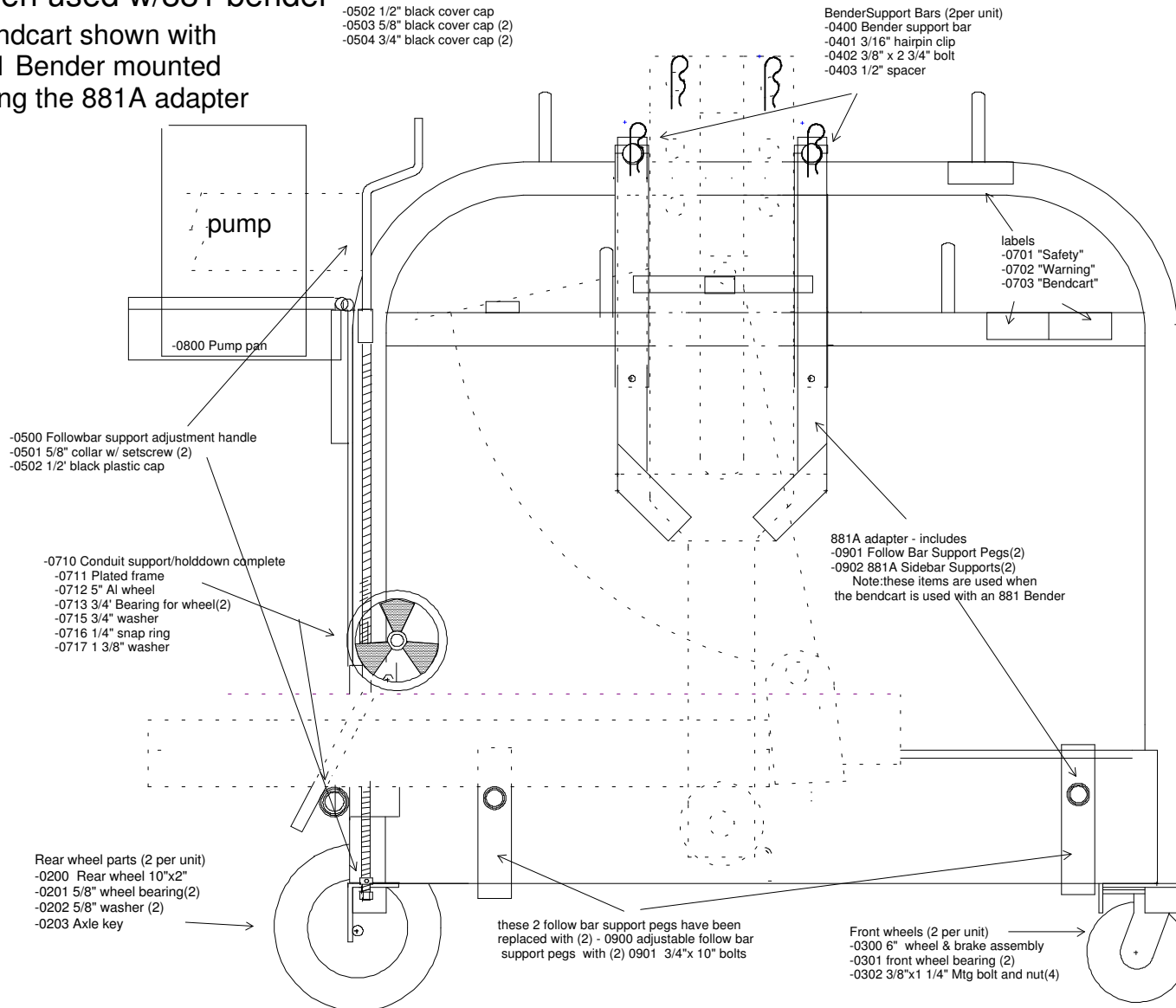
When used w/885T bender



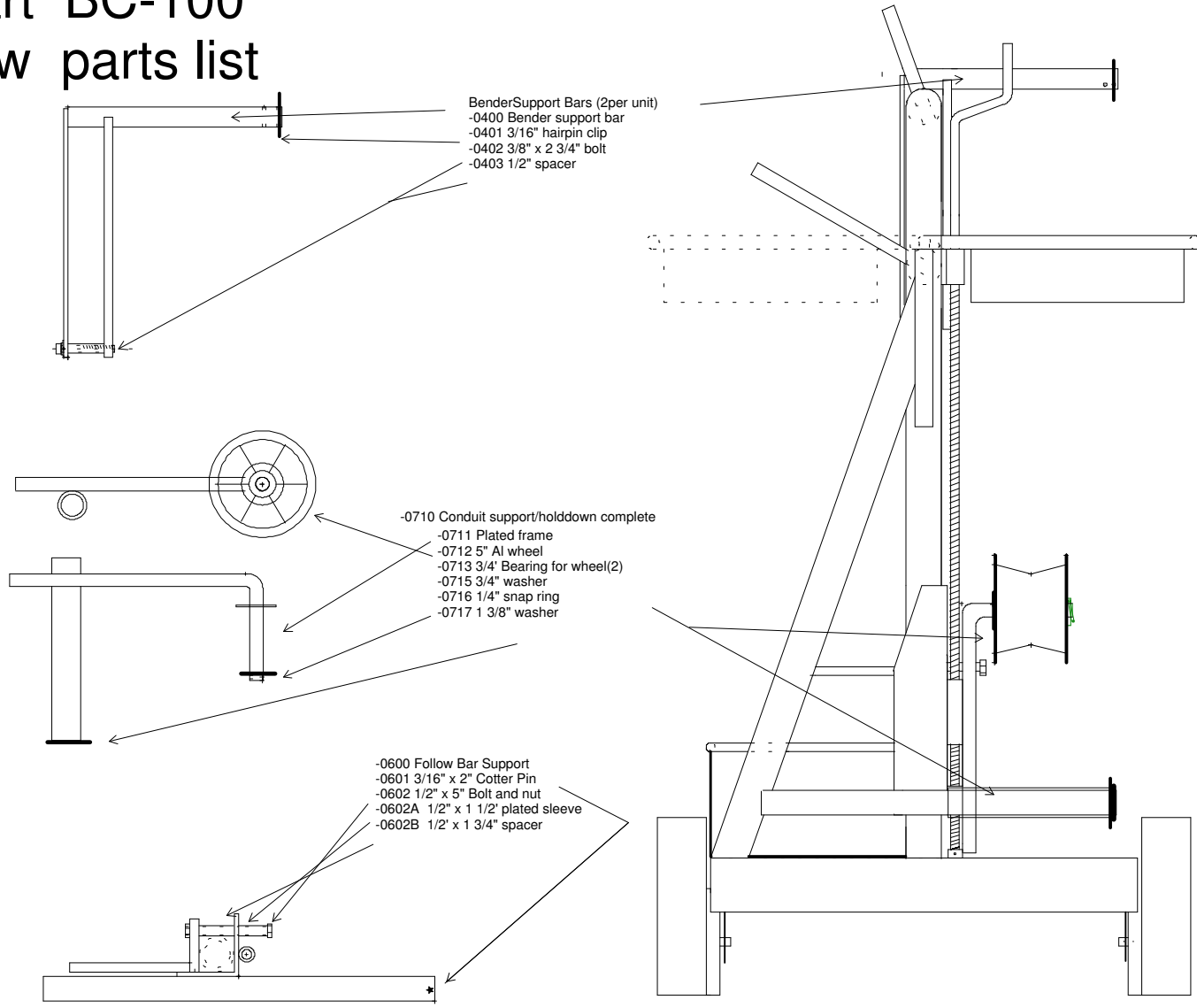
Bendcart BC-100 parts list

when used w/881 bender

Bendcart shown with
881 Bender mounted
using the 881A adapter



Bendcart BC-100 end view parts list



- BenderSupport Bars (2per unit)
- 0400 Bender support bar
- 0401 3/16" hairpin clip
- 0402 3/8" x 2 3/4" bolt
- 0403 1/2" spacer

- 0710 Conduit support/holddown complete
- 0711 Plated frame
- 0712 5" Al wheel
- 0713 3/4" Bearing for wheel(2)
- 0715 3/4" washer
- 0716 1/4" snap ring
- 0717 1 3/8" washer

- 0600 Follow Bar Support
- 0601 3/16" x 2" Cotter Pin
- 0602 1/2" x 5" Bolt and nut
- 0602A 1/2" x 1 1/2" plated sleeve
- 0602B 1/2" x 1 3/4" spacer