

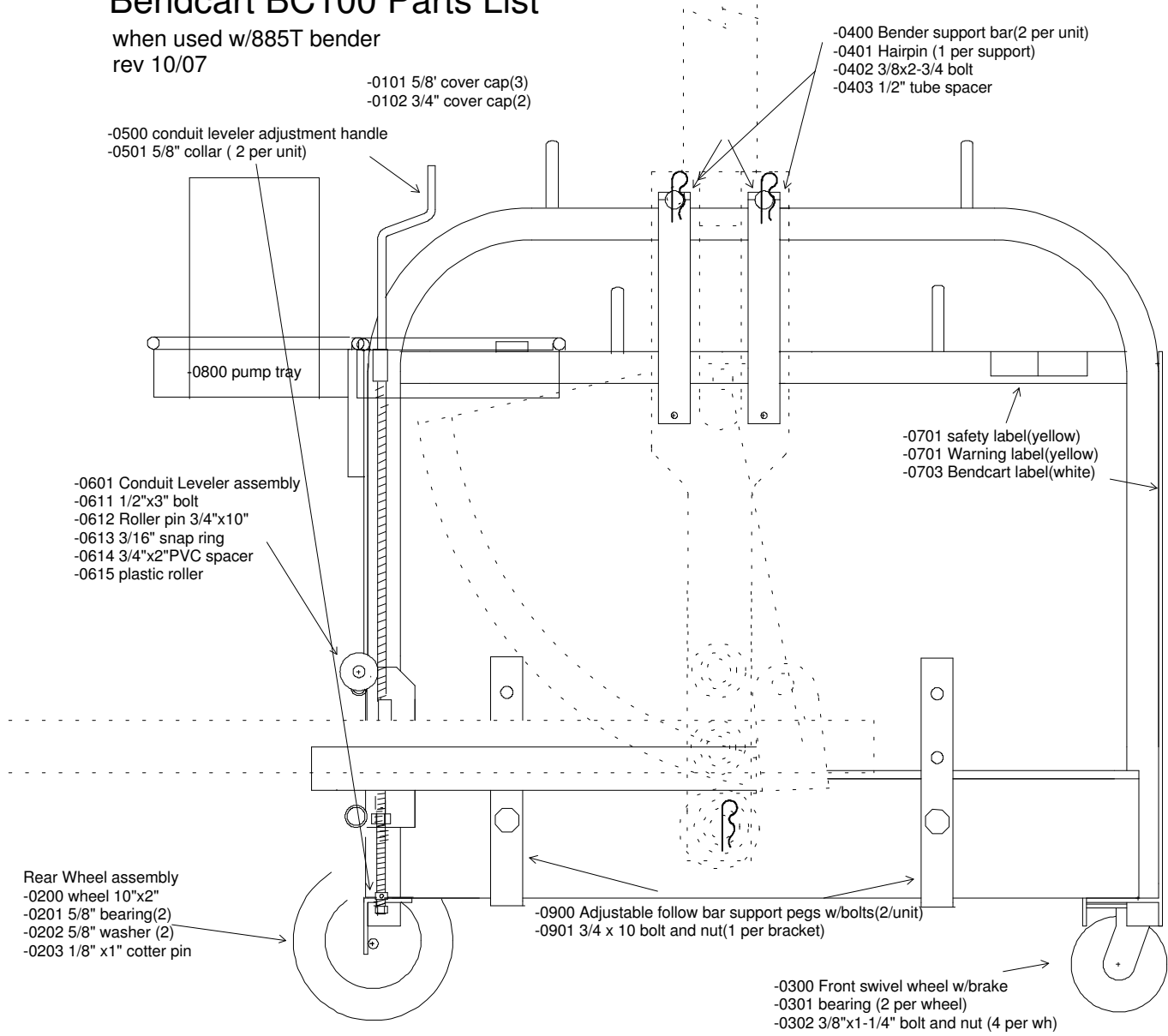
# Bendcart

## BC100

Parts list  
serial #'s 557+  
rev 10/07

# Bendcart BC100 Parts List

when used w/885T bender  
rev 10/07



- 0101 5/8" cover cap(3)
- 0102 3/4" cover cap(2)

- 0500 conduit leveler adjustment handle
- 0501 5/8" collar ( 2 per unit)

- 0400 Bender support bar(2 per unit)
- 0401 Hairpin (1 per support)
- 0402 3/8x2-3/4 bolt
- 0403 1/2" tube spacer

-0800 pump tray

- 0601 Conduit Leveler assembly
- 0611 1/2"x3" bolt
- 0612 Roller pin 3/4"x10"
- 0613 3/16" snap ring
- 0614 3/4"x2"PVC spacer
- 0615 plastic roller

- 0701 safety label(yellow)
- 0701 Warning label(yellow)
- 0703 Bendcart label(white)

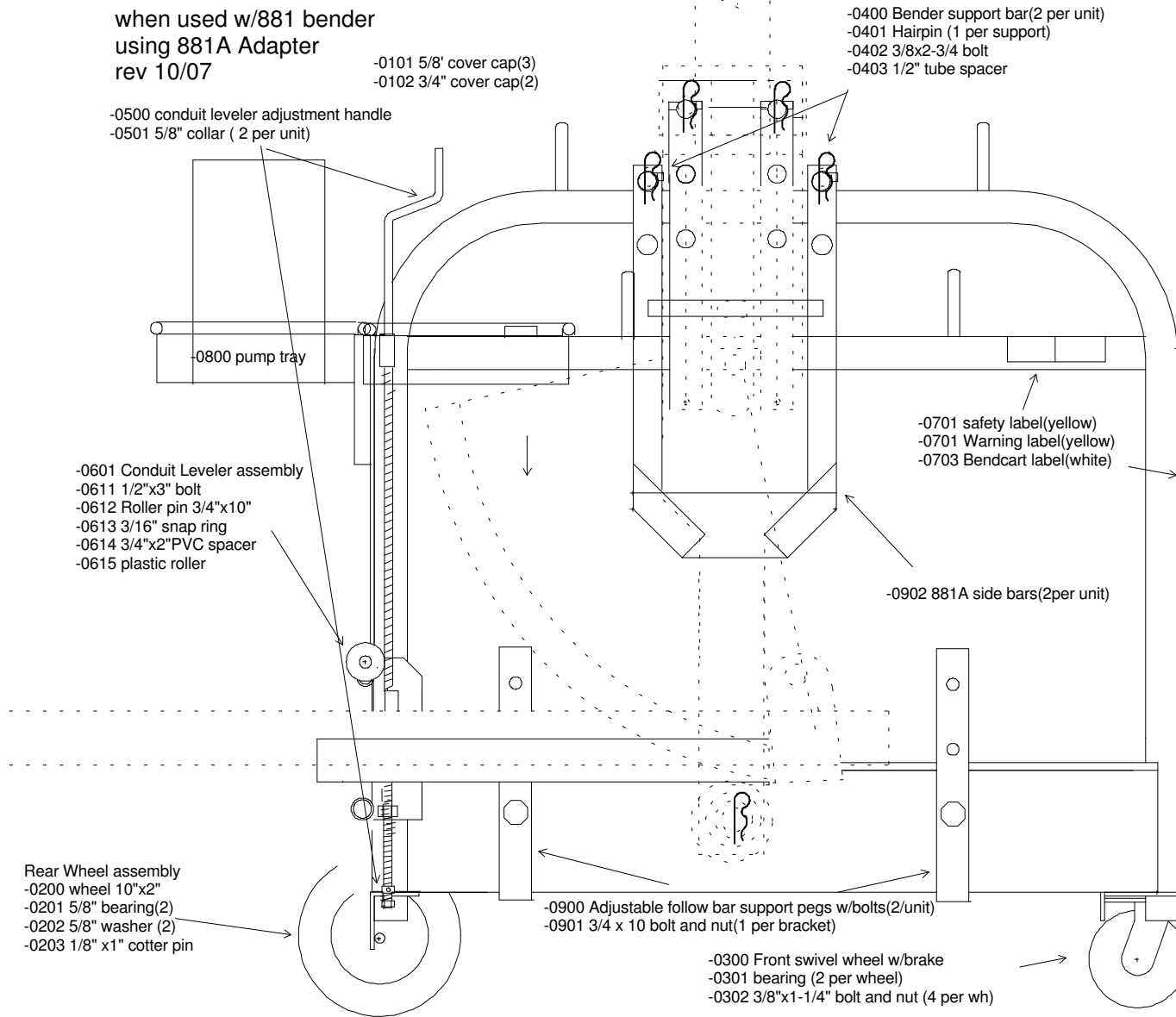
- Rear Wheel assembly
- 0200 wheel 10"x2"
  - 0201 5/8" bearing(2)
  - 0202 5/8" washer (2)
  - 0203 1/8" x1" cotter pin

- 0900 Adjustable follow bar support pegs w/bolts(2/unit)
- 0901 3/4 x 10 bolt and nut(1 per bracket)

- 0300 Front swivel wheel w/brake
- 0301 bearing (2 per wheel)
- 0302 3/8"x1-1/4" bolt and nut (4 per wh)

# Bendcart BC100 Parts List

when used w/881 bender  
using 881A Adapter  
rev 10/07



# Bendcart BC100 end view parts list

rev 10/07

